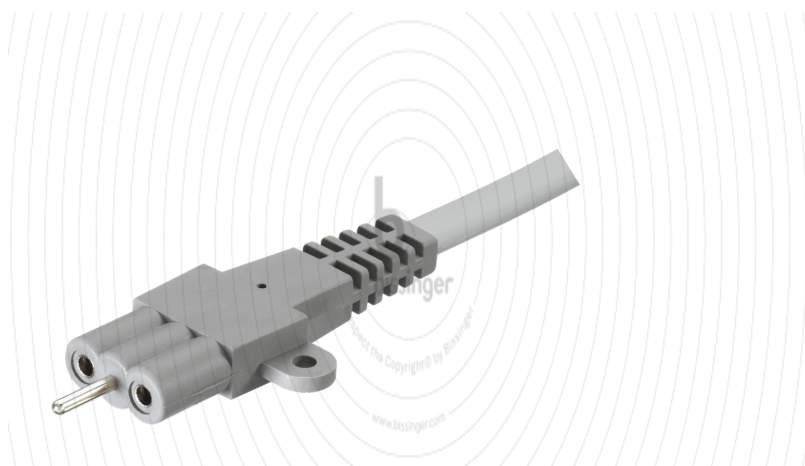


89101051

Cable for Disposable Neutral Electrodes



Technical specifications

Dimensions and Weights

Cable length	4 m
--------------	-----

Basic Specifications

Cable connector instrument side	for Disposable Neutral Electrode
Cable plug generator side	Valleylab, Conmed, International

Cleaning and Reprocessing

Reusable	Yes
Manual reprocessing	Yes, related to IFU
Washing machine	95 °C
Autoclave sterilization	max. 137 °C

Approvals

Directive 93/42 EEC	N/A
Regulation (EU) 2017/745	Class I
FDA Approval	Class II

Additional Product Information

Accessories rated voltage	max. 5 kVp
Packaging unit	1
GTIN 14	04250418727983