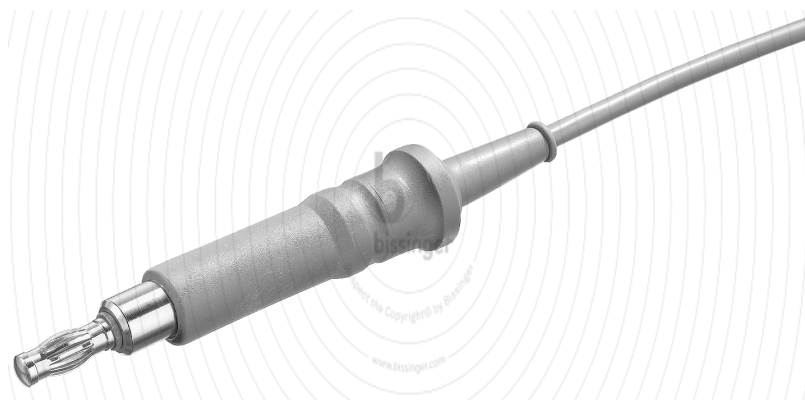


80100223

Monopolar Cable



Technical specifications

Dimensions and Weights

Cable length	3 m
--------------	-----

Basic Specifications

Cable connector instrument side	4 mm Plug protected
Cable plug generator side	Erbe

Cleaning and Reprocessing

Reusable	Yes
Manual reprocessing	Yes, related to IFU
Washing machine	95 °C
Autoclave sterilization	max. 137 °C

Approvals

Directive 93/42 EEC	N/A
Regulation (EU) 2017/745	Class I
FDA Approval	Class II

Additional Product Information

Accessories rated voltage	max. 5 kVp
Packaging unit	1
GTIN 14	04250418735308