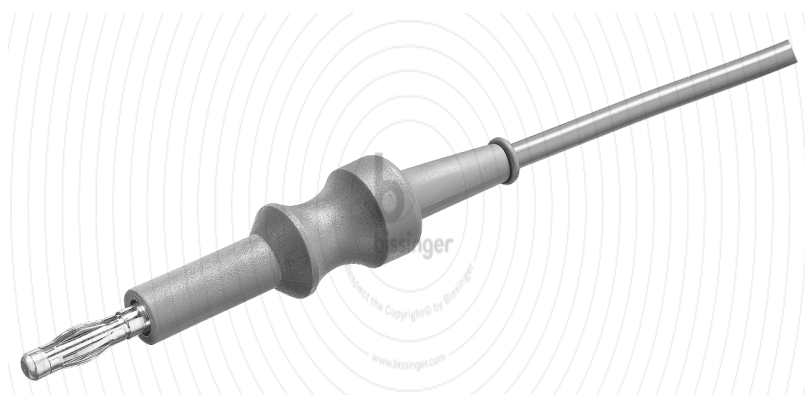
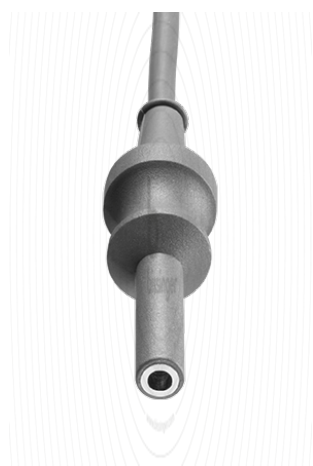


80100319

## Monopolar Cable



## Technical specifications

### Dimensions and Weights

|              |     |
|--------------|-----|
| Cable length | 3 m |
|--------------|-----|

### Basic Specifications

|                                 |                                 |
|---------------------------------|---------------------------------|
| Cable connector instrument side | 3 mm Socket                     |
| Cable plug generator side       | Erbe T-Serie, Martin, Berchtold |

### Cleaning and Reprocessing

|                         |                     |
|-------------------------|---------------------|
| Reusable                | Yes                 |
| Manual reprocessing     | Yes, related to IFU |
| Washing machine         | 95 °C               |
| Autoclave sterilization | max. 137 °C         |

### Approvals

|                          |          |
|--------------------------|----------|
| Directive 93/42 EEC      | N/A      |
| Regulation (EU) 2017/745 | Class I  |
| FDA Approval             | Class II |

### Additional Product Information

|                           |                |
|---------------------------|----------------|
| Accessories rated voltage | max. 5 kVp     |
| Packaging unit            | 1              |
| GTIN 14                   | 04250418701310 |